

EURO FENCE

Euro Fencing, also called Holand Fencing. Its production process is simple, using high quality galvanized wire with PVC coating to weld a panel. With a special column and clip, we can get a new Skyhall Euro Fencing. It is mainly exported to Europe. With its economical price, it is also very popular in other countries and areas.

FEATURES

- See through panels
- Economical product
- Easy installation
- Full range of RAL colours available
- Strong anti rust and corrosion

SUITABLE FOR

- Highways
- Railways
- Airports
- Residences
- Harbors
- Farms

DIMENSIONS

HEIGHT: 1200mm / 1400mm / 1600mm / 1800mm / 2000mm / 2200mm

WIDTH: 2500mm / 3000mm

WIRE THICKNESS: 2.0mm / 2.5mm / 3.0mm / 3.5mm

MESH SIZE: 50mm*50mm / 100mm*50mm

POST: square post (60mm*60mm), peach post, swallow tail post(60mm)

CLAMP: Metal U-clamp

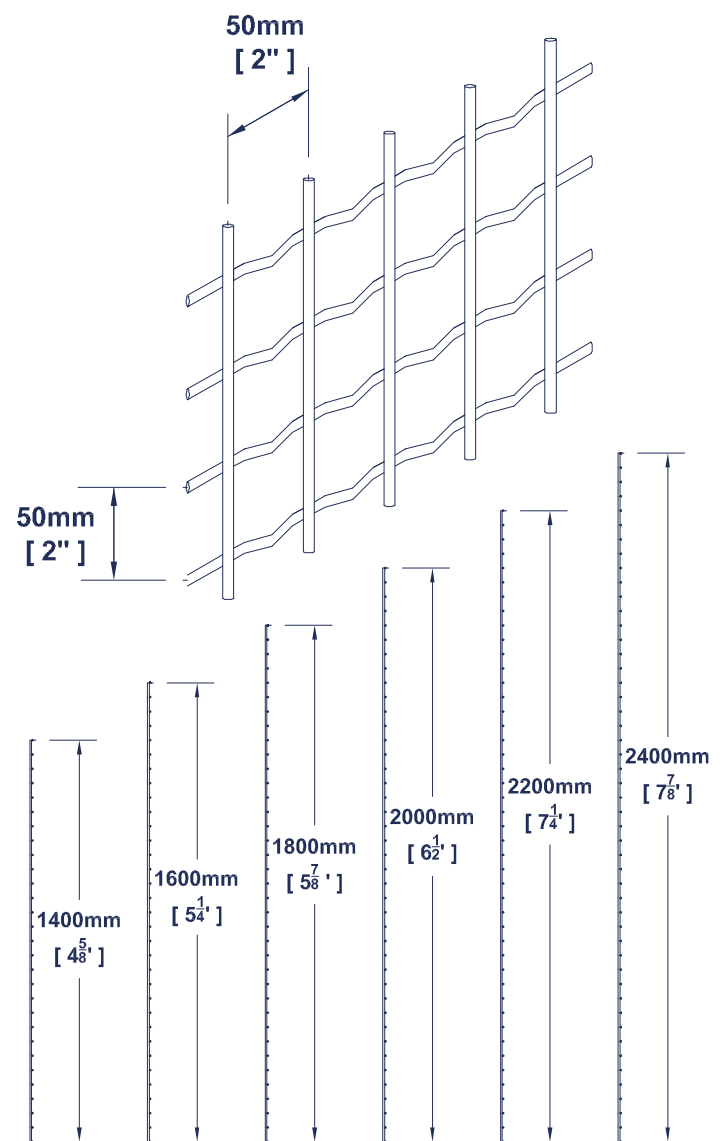
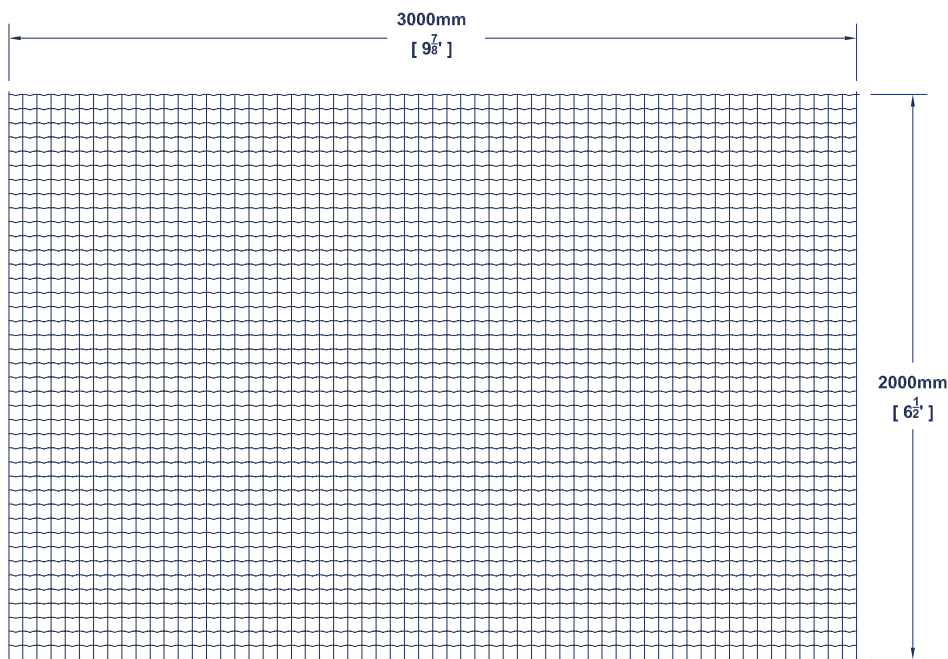
RAIN CAP: Anti-UV PP Rain Cap

POST SIZE: swallow tail post (48mm / 60mm)

SURFACE: Hot Dipped Galvanized (505g/m²) / Electric Galvanized + Polyester Powder Coated (All colors in Ral) / Electric Galvanized + PVC Coated

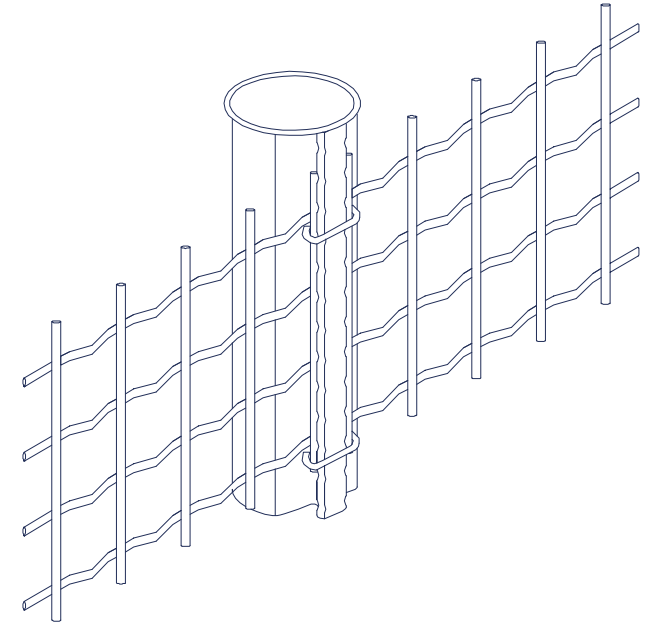
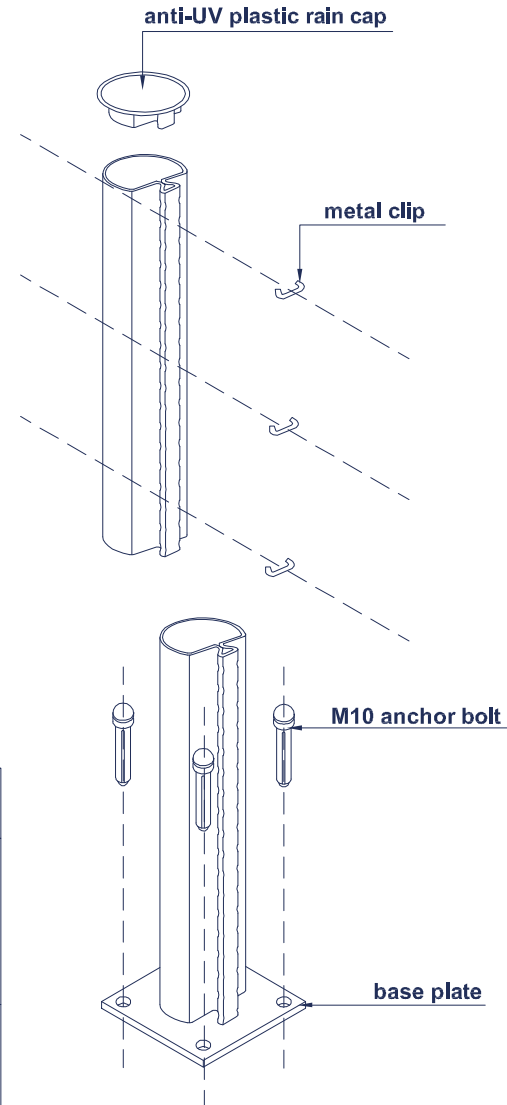
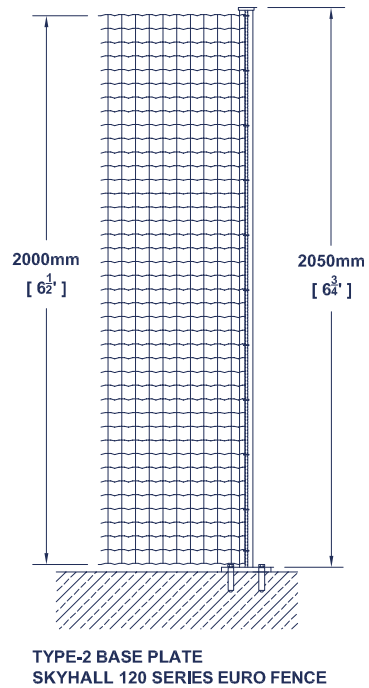
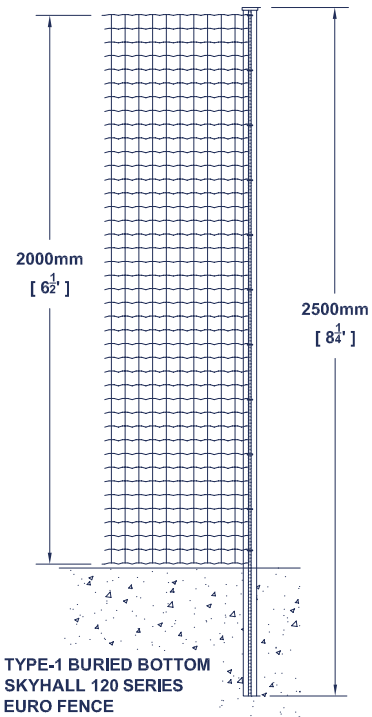
EURO FENCE (PANEL 50*50MM)

H=2.00M, W=3.00M, MESH SIZE 50MM*50MM



Height	Width	Mesh Size	Wire Gauge	Surface
1400mm [4 ⁵ / ₈ ']	2500mm [8 ¹ / ₄ ']	50mm x 50mm [2" x 2"]	2.0mm [gauge #14 ¹ / ₂]	hot-dipped galvanized
1600mm [5 ¹ / ₄ ']			2.5mm [gauge #12 ¹ / ₂]	
1800mm [5 ⁷ / ₈ ']				
2000mm [6 ¹ / ₂ ']	3000mm [9 ⁷ / ₈ ']	100mm x 50mm [2" x 4"]	3.0mm [gauge #11]	electric galvanized + PVC coated
2200mm [7 ¹ / ₄ ']				
2400mm [7 ⁷ / ₈ ']				

EURO FENCE (CONNECTIONS)



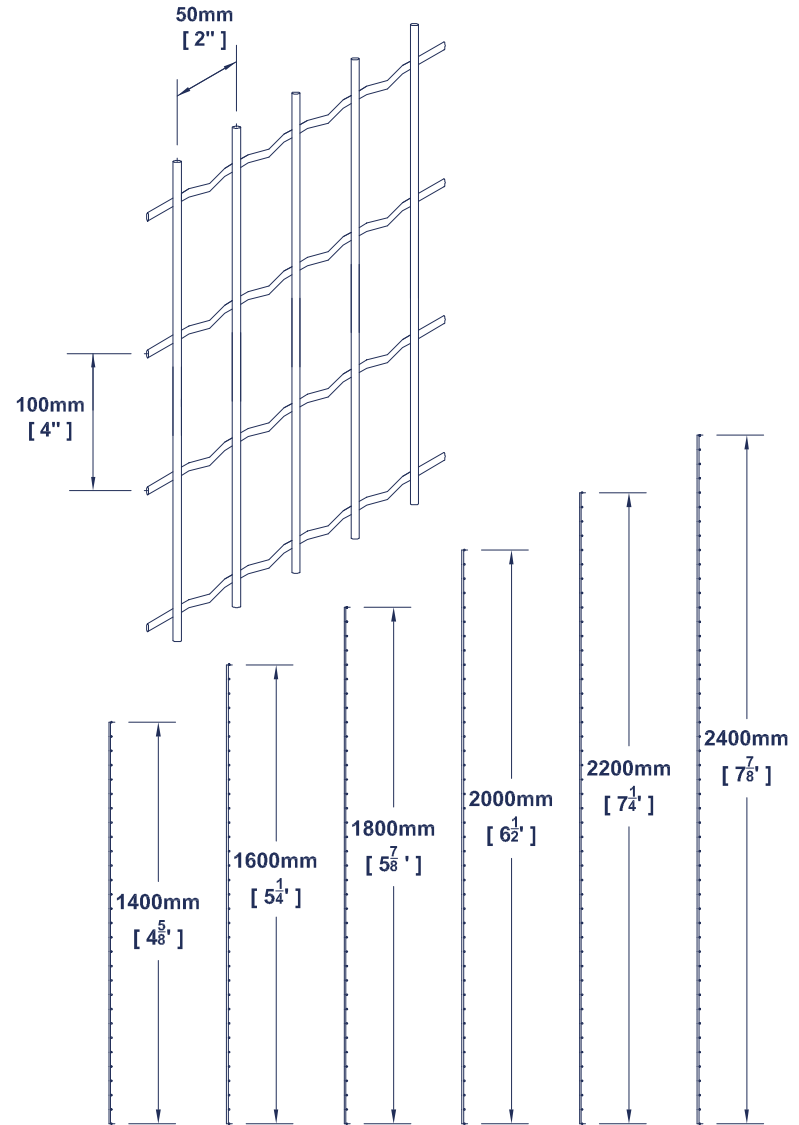
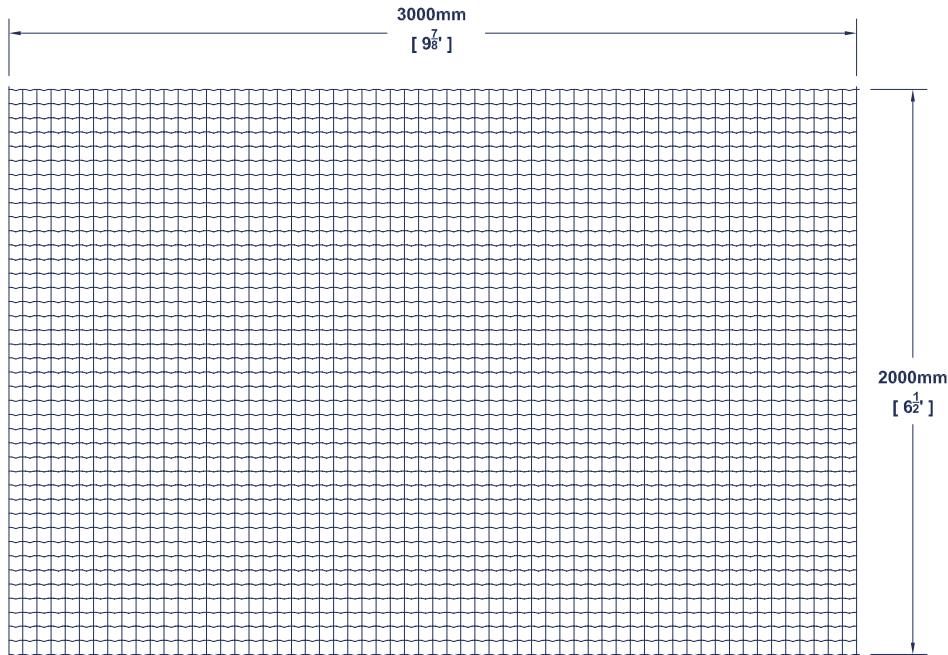
Post Size	Post Wall Thick	Clamp	Rain Cap	Surface
60mm [2 3/8"]	1.0mm [gauge #19]	metal clip	metal rain cap	hot-dipped galvanized
	1.5mm [gauge #17]			
48mm [1 7/8"]	2.0mm [gauge #14 1/2]		PVC rain cap	electric galvanized + PVC coated

EURO FENCE (EXAMPLES)



EURO FENCE (PANEL 50*100MM)

H=2.00M, W=3.00M, MESH SIZE 50MM*100MM



Height	Width	Mesh Size	Wire Gauge	Surface
1400mm [4'8"]	2500mm [8'1"]	50mm x 50mm [2" x 2"]	2.0mm [gauge #14 $\frac{1}{2}$]	hot-dipped galvanized
1600mm [5'1"]			2.5mm [gauge #12 $\frac{1}{2}$]	
1800mm [5'8"]				
2000mm [6'2"]	3000mm [9'7"]	100mm x 50mm [2" x 4"]	3.0mm [gauge #11]	electric galvanized + PVC coated
2200mm [7'1"]				
2400mm [7'8"]				