

# PALISADE FENCE

---

Palisade Fence is widely used in the industry. As a commercial fence, using hot formed and cold rolled steel belts to form a secure panel. Palisade Fence can prevent us from most of the intrusions. There are also three types of tops, including “W” profile, “D” profile and angle iron. The Palisade Fence can also prevent crime for the private residents.

## FEATURES

- See through panels
- Economical product
- Easy installation
- Vandal resistance
- Impossible to climb

## SUITABLE FOR

- Parks
- Schools
- Industrial Sites
- Residences
- Utilities
- Perimeter - Medium/High Security

## DIMENSIONS

**HEIGHT:** 1200mm / 1400mm / 1600mm / 1800mm / 2000mm / 2200mm / 2400mm

**WIDTH:** 2750mm / 3050mm

**PALE TYPE:** W-profile / D-profile / Angle Steel

**PALE TOP:** Single Pointed / Triple Pointed / Round Top / Square Top

**PALE THICKNESS:** 1.5mm / 2.0mm / 2.5mm / 3.0mm

**HORIZONTAL RAIL:** Angle Steel 40mm\*40mm\*4.0mm / 45mm\*45mm\*4.5mm / 50mm\*50mm\*5.0mm

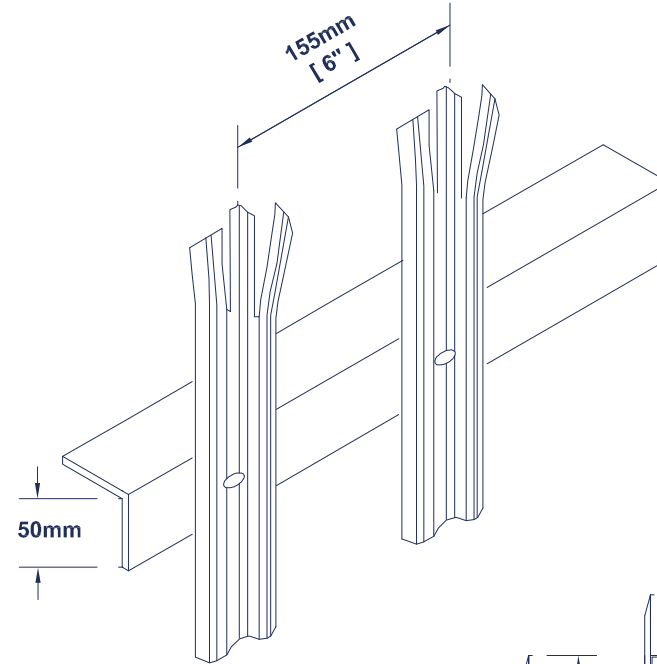
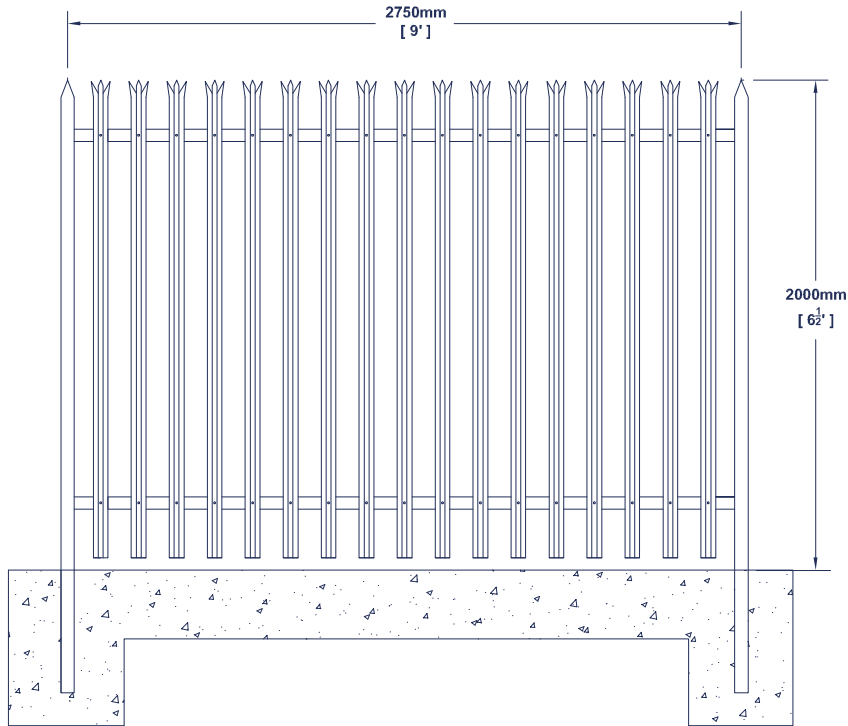
**POST:** 100mm\*55mm / 102mm\*44mm (IPE post)

**CLAMP:** Fish Plate

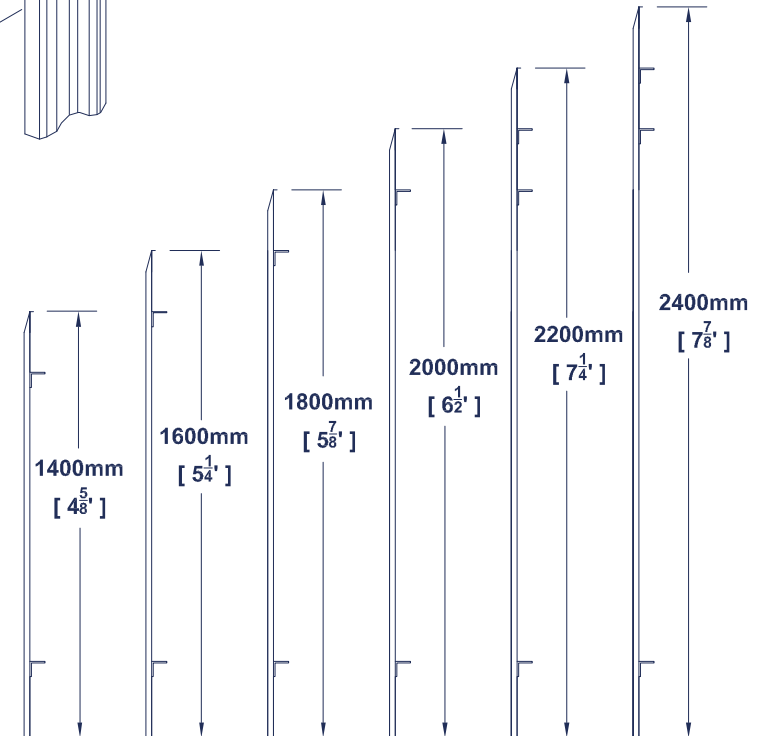
**SURFACE:** Hot Dipped Galvanized (505g/m<sup>2</sup>) / Electric Galvanized + Polyester Powder Coated (All colors in Ral)

# PALISADE FENCE (W-PALE)

H=2.00M, W=2.75M, W-PROFILE



Height	Width	Pale Type	Pale Thickness	Surface
1400mm [4 <sup>5</sup> / <sub>8</sub> ']	2750mm [9']	D-Profile	2.0mm [gauge #15]	hot-dipped galvanized
1600mm [5 <sup>1</sup> / <sub>4</sub> ']				
1800mm [5 <sup>7</sup> / <sub>8</sub> ']				
2000mm [6 <sup>1</sup> / <sub>2</sub> ']		W-Profile	3.0mm [gauge #11]	galvanized + PVC coated
2200mm [7 <sup>1</sup> / <sub>4</sub> ']				
2400mm [7 <sup>7</sup> / <sub>8</sub> ']				





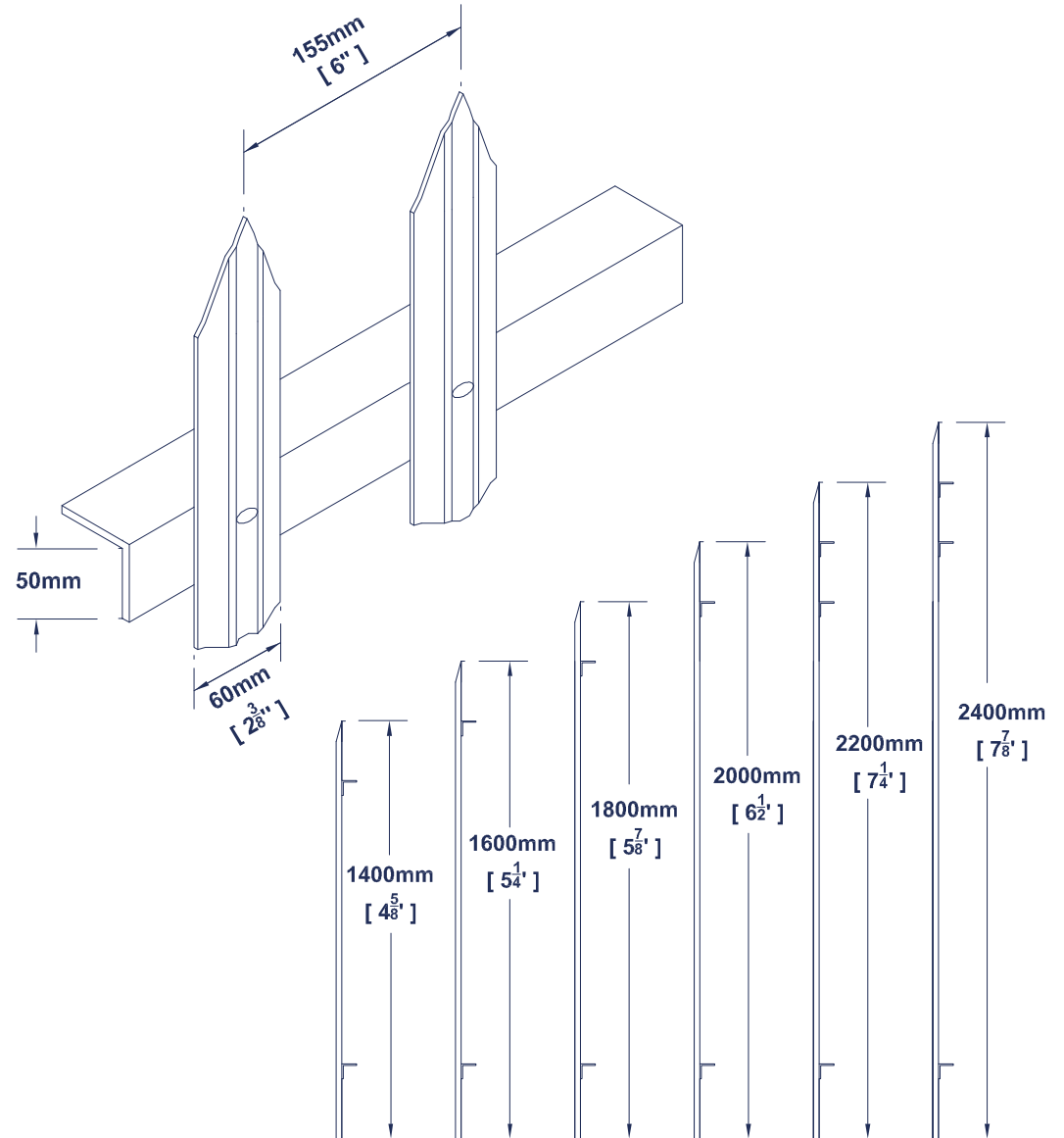
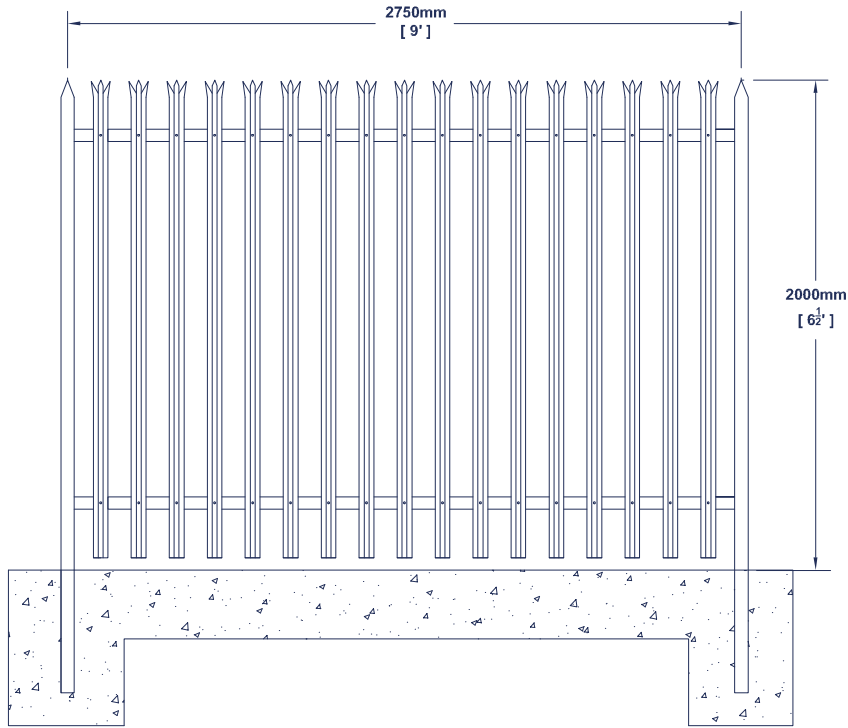
# PALISADE FENCE (EXAMPLES)





# PALISADE FENCE (W-PALE)

H=2.00M, W=2.75M, W-PROFILE



Height	Width	Pale Type	Pale Thickness	Surface
1400mm [4 <sup>5</sup> / <sub>8</sub> ']	2750mm [9']	D-Profile	2.0mm [gauge #15]	hot-dipped galvanized
1600mm [5 <sup>1</sup> / <sub>4</sub> ']				
1800mm [5 <sup>7</sup> / <sub>8</sub> ']				
2000mm [6 <sup>1</sup> / <sub>2</sub> ']		W-Profile	3.0mm [gauge #11]	galvanized + PVC coated
2200mm [7 <sup>1</sup> / <sub>4</sub> ']				
2400mm [7 <sup>7</sup> / <sub>8</sub> ']				