



TEMPORARY FENCE

Temporary Fence, also called Construction Fence. The surface treatment is coated by electric galvanization + polyester powder or electric galvanization. The major features of Temporary Fence are easy installation and mobility. You can see Temporary Fence everywhere in construction site, temporary protection, major sports events or activities, temporary isolation, quarantine station in the airport, large playgrounds etc.

FEATURES

- Used comfortably regardless of weather conditions
- Easy Assembly
- Does not wear, rust or deform when exposed to snow, rain and water
- Economical solution
- Durable
- Strong

SUITABLE FOR

- Quarantine stations
- Airports
- Large Playgrounds
- Construction site
- Events (Sports, concerts, galas, expos)

DIMENSIONS

HEIGHT: 1000mm / 1100mm / 1200mm / 1500mm

WIDTH: 2000mm / 2200mm / 2500mm

FRAME DIAMETER: 30mm / 38mm / 40mm / 42mm

INSIDE PIPE DIAMETER: 16mm / 20mm / 25mm / 32mm

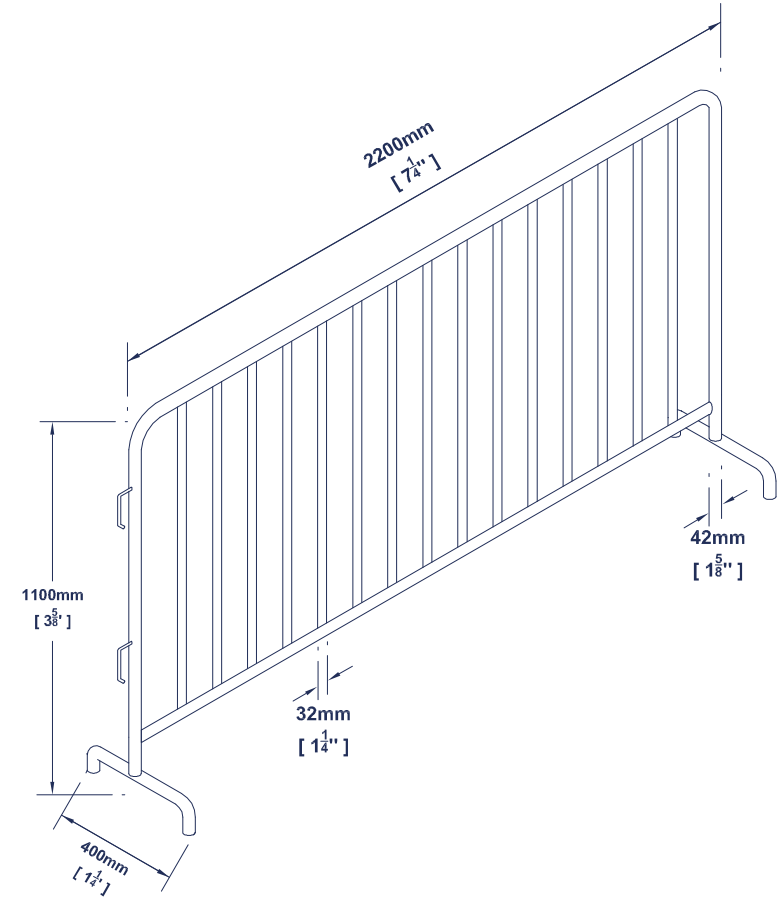
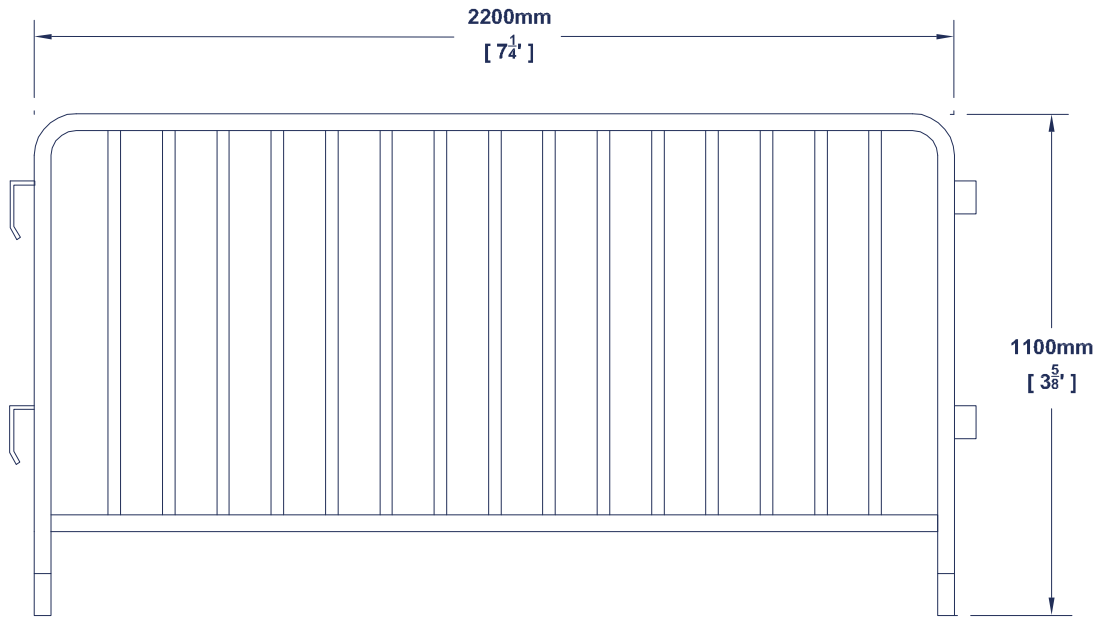
CONNECTION: Metal Hoo

BASE FOOT: Metal Base Foot

SURFACE: Hot Dipped Galvanized (505g/m²) / Electric Galvanized + Polyester Powder Coated (All colors in Ral)

TEMPORARY FENCE (SMALL FOLDS)

H=1.10M, W=2.20M, 42MM OUTSIDE PIPE.



Height	Width	Frame Pipe	Inside Pipe	Surface
800mm [2'8"]	2000mm [6'7"]	25mm [1"]	20mm [3/4"]	hot-dipped galvanized
1100mm [3'8"]		32mm [1 1/4"]	25mm [1 1/8"]	
1500mm [4'8"]	2200mm [7'4"]	42mm [1 5/8"]	32mm [1 1/4"]	galvanized + PVC coated
1800mm [5'8"]				

TEMPORARY FENCE (EXAMPLES)

