



WELDED MESH FENCE

Welded Mesh Fence is an economical version of the fence system, constructed from a welded mesh fence panel with longitudinal profiles that forms a rigid fence. The fence panel is welded with high quality low carbon steel wire, surface treated by electrostatic polyester powder spray coating over galvanized materials. Then connect the fence panel with post by suitable clips. Due to its simple structure, easy installation and beautiful appearance, more and more customers regard welded mesh fence as the preferred common protective fence.

FEATURES

- Attractive appearance
- Aesthetically pleasing, effortlessly blends in with surroundings
- Wide range of height options
- Full range of RAL colours available

SUITABLE FOR

- Public buildings
- Schools
- Car parks
- Business parks and retail premises

DIMENSIONS

HEIGHT: 1030mm / 1230mm / 1430mm / 1630mm / 1830mm / 2030mm / 2230mm

WIDTH: 2000mm / 2500mm

WIRE THICKNESS: 4.0mm / 4.5mm / 5.0mm

MESH SIZE: 200mm*50mm / 200mm*55mm

POST: square post (60mm*60mm), peach post, swallow tail post(60mm)

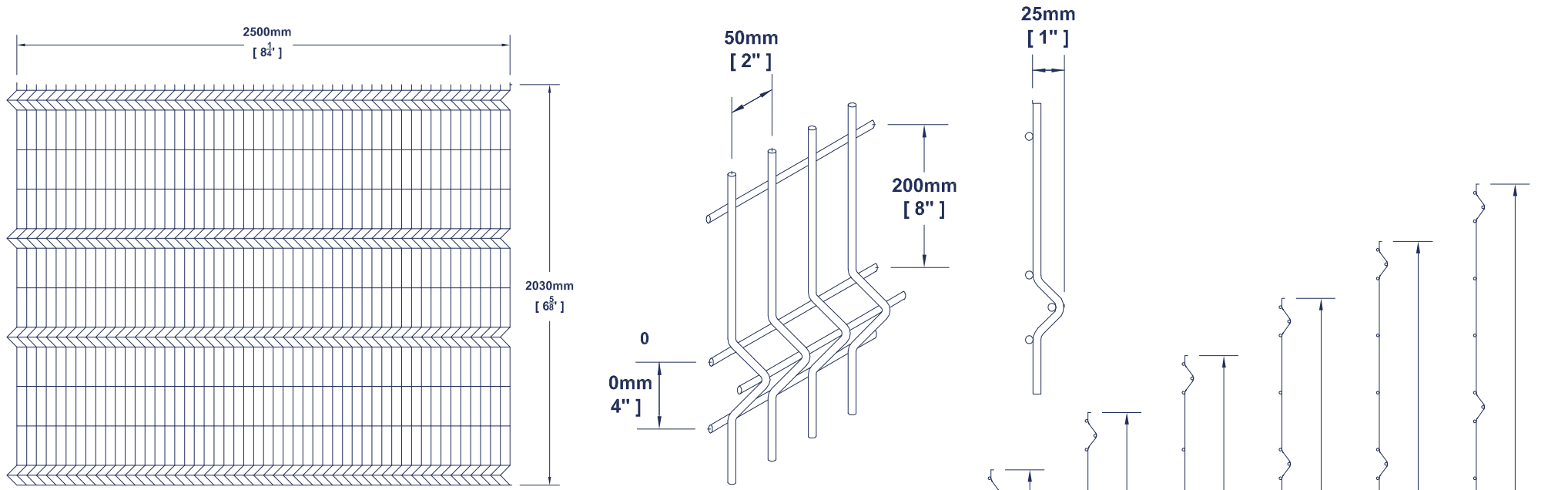
CLAMP: metal clamp / anti-UV plastic clamp / no clamp(for peach post)

POST CAP: metal cap / anti-UV plastic cap

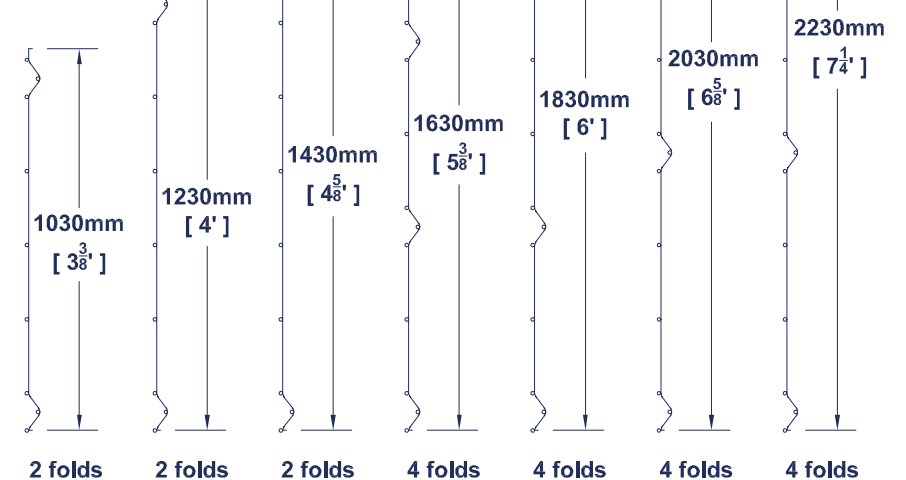
SURFACE: Hot Dipped Galvanized (505g/m²) / Electric Galvanized + Polyester Powder Coated (All colors in Ral) / Electric Galvanized + PVC Coated

WELDED MESH FENCE (SMALL FOLDS)

H=2.03M, W=2.50M, MESH SIZE 50MM*200MM

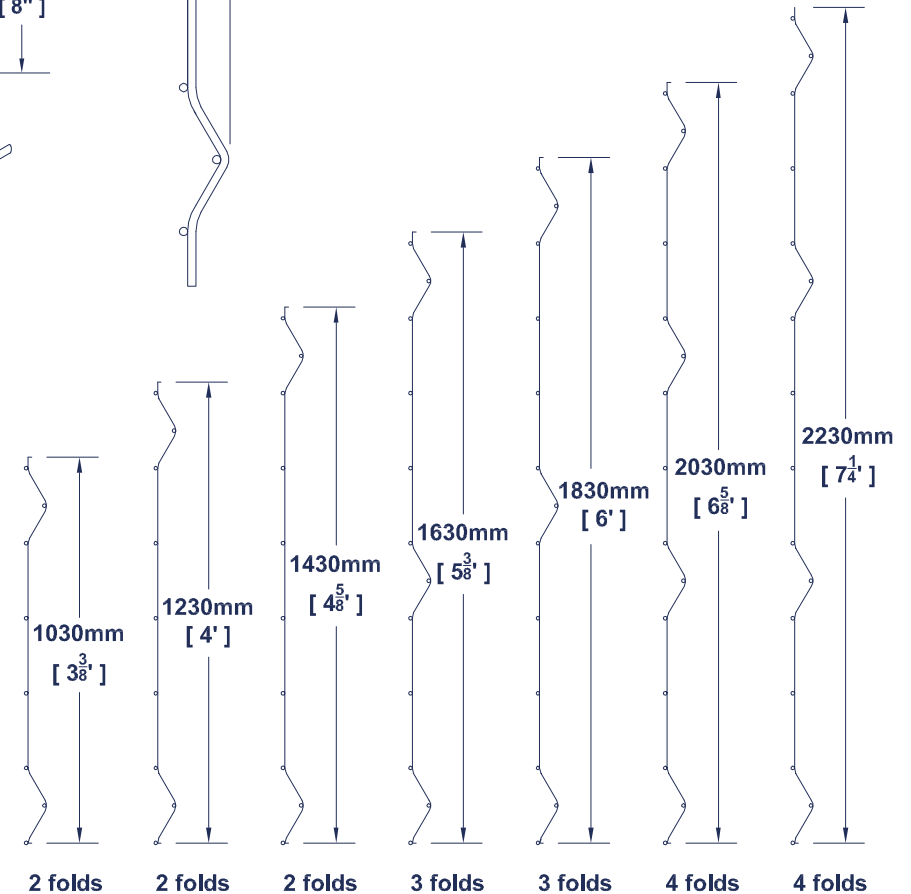
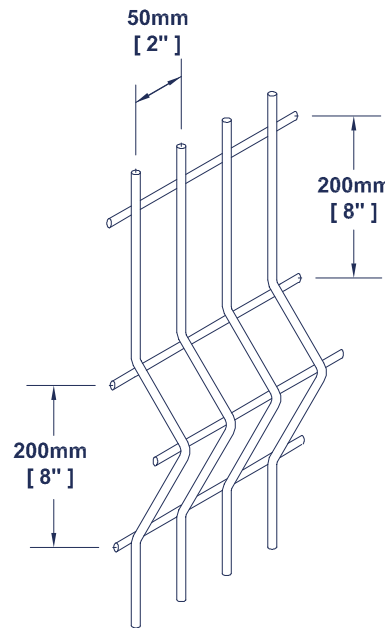
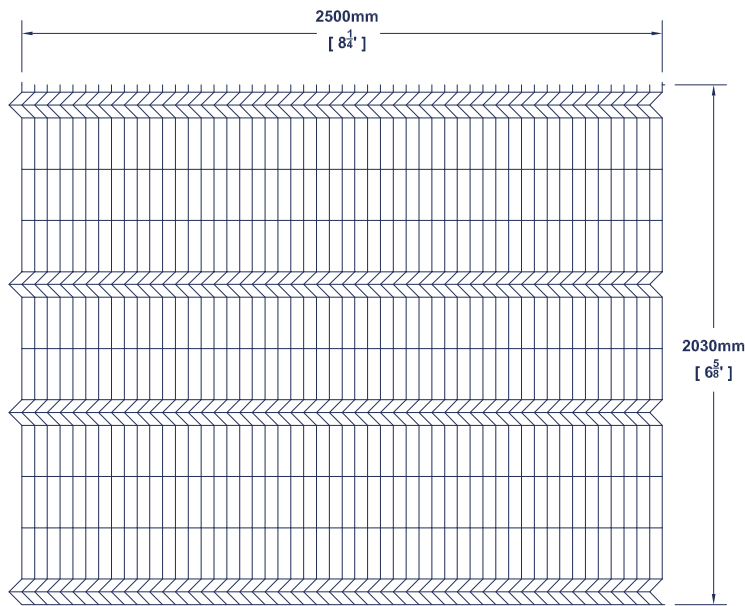


Height	Width	Mesh Size	Wire Gauge	Surface
1030mm [3'3"]	2000mm [6'2"]	100mm x 50mm [4" x 2"]	4.0mm [gauge #8]	hot-dipped galvanized
1230mm [4']		150mm x 50mm [6" x 2"]		
1430mm [4'5"]				
1630mm [5'3"]	2500mm [8'1"]	200mm x 50mm [8" x 2"]	4.5mm [gauge #7]	electric galvanized + polyester powder
1830mm [6']		200mm x 55mm [8" x 2'1"]	5.0mm [gauge #6]	
2030mm [6'5"]				
2230mm [7'1"]				



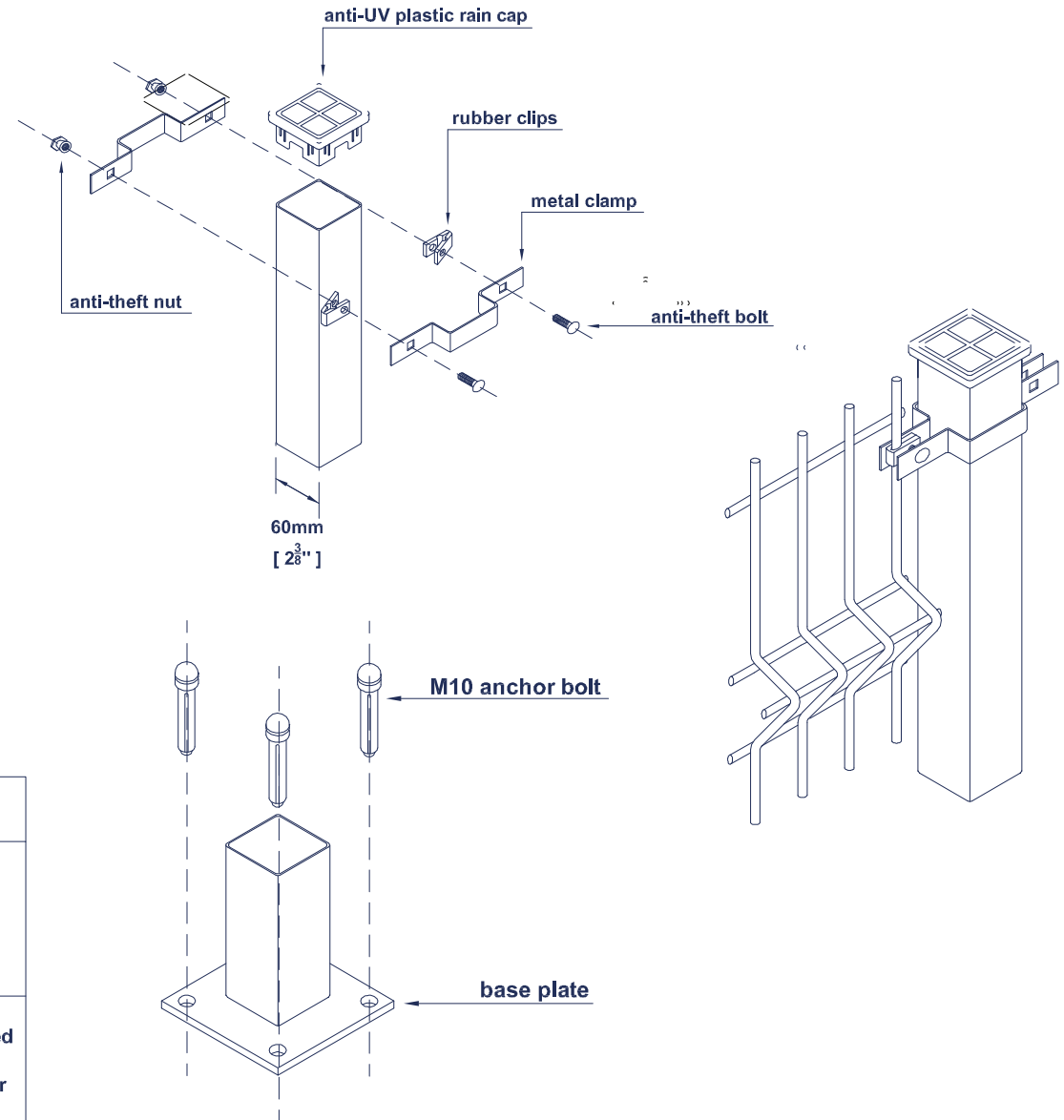
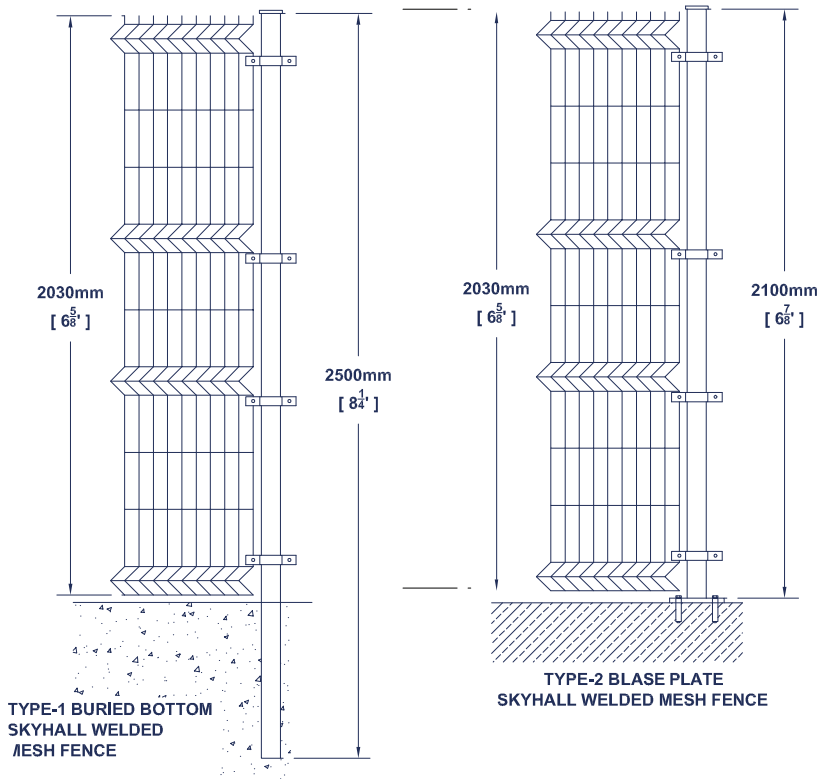
WELDED MESH FENCE (BIG FOLDS)

H=2.03M, W=2.50M, MESH SIZE 50MM*200MM



Height	Width	Mesh Size	Wire Gauge	Surface
1030mm [3 ³ / ₈ ']	2000mm [6 ¹ / ₂ ']	100mm x 50mm [4" x 2"]	4.0mm [gauge #8]	hot-dipped galvanized
1230mm [4']		150mm x 50mm [6" x 2"]		
1430mm [4 ⁵ / ₈ ']		200mm x 50mm [8" x 2"]	4.5mm [gauge #7]	
1630mm [5 ³ / ₈ ']	2500mm [8 ¹ / ₄ ']	200mm x 50mm [8" x 2"]	5.0mm [gauge #6]	electric galvanized + polyester powder
1830mm [6']		200mm x 55mm [8" x 2 ¹ / ₈ "]		
2030mm [6 ⁵ / ₈ ']				
2230mm [7 ¹ / ₄ ']				

WELDED MESH FENCE (CONNECTION)



Post Size	Post Wall Thick	Clamp	Rain Cap	Surface
60mm x 60mm [2 3/8"]	1.5mm [gauge #17]	metal clamp	metal rain cap	hot-dipped galvanized
	2.0mm [gauge #15]			
80mm x 80mm [3 1/8"]	2.5mm [gauge #13]	PVC clamp	PVC rain cap	electric galvanized + polyester powder
	3.0mm [gauge #11]			
	4.0mm [gauge #8]			

WELDED MESH FENCE (EXAMPLES)

